



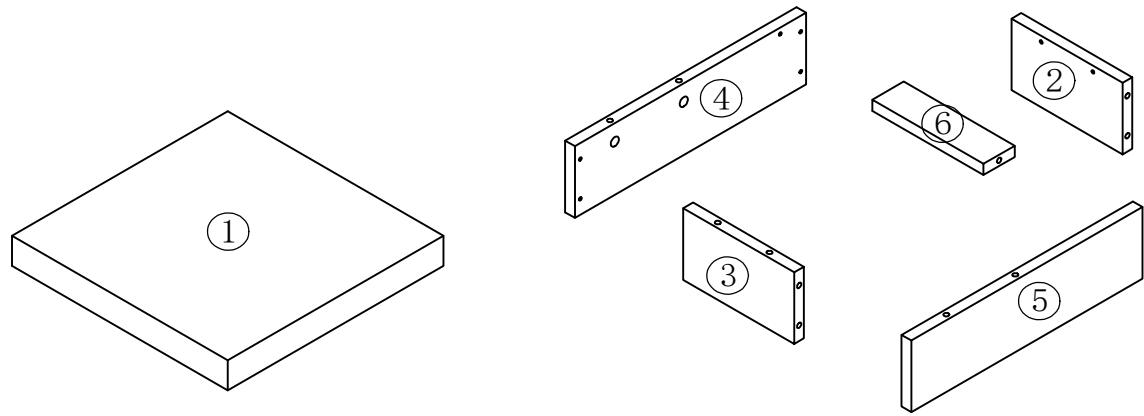


ASSEMBLY INSTRUCTION

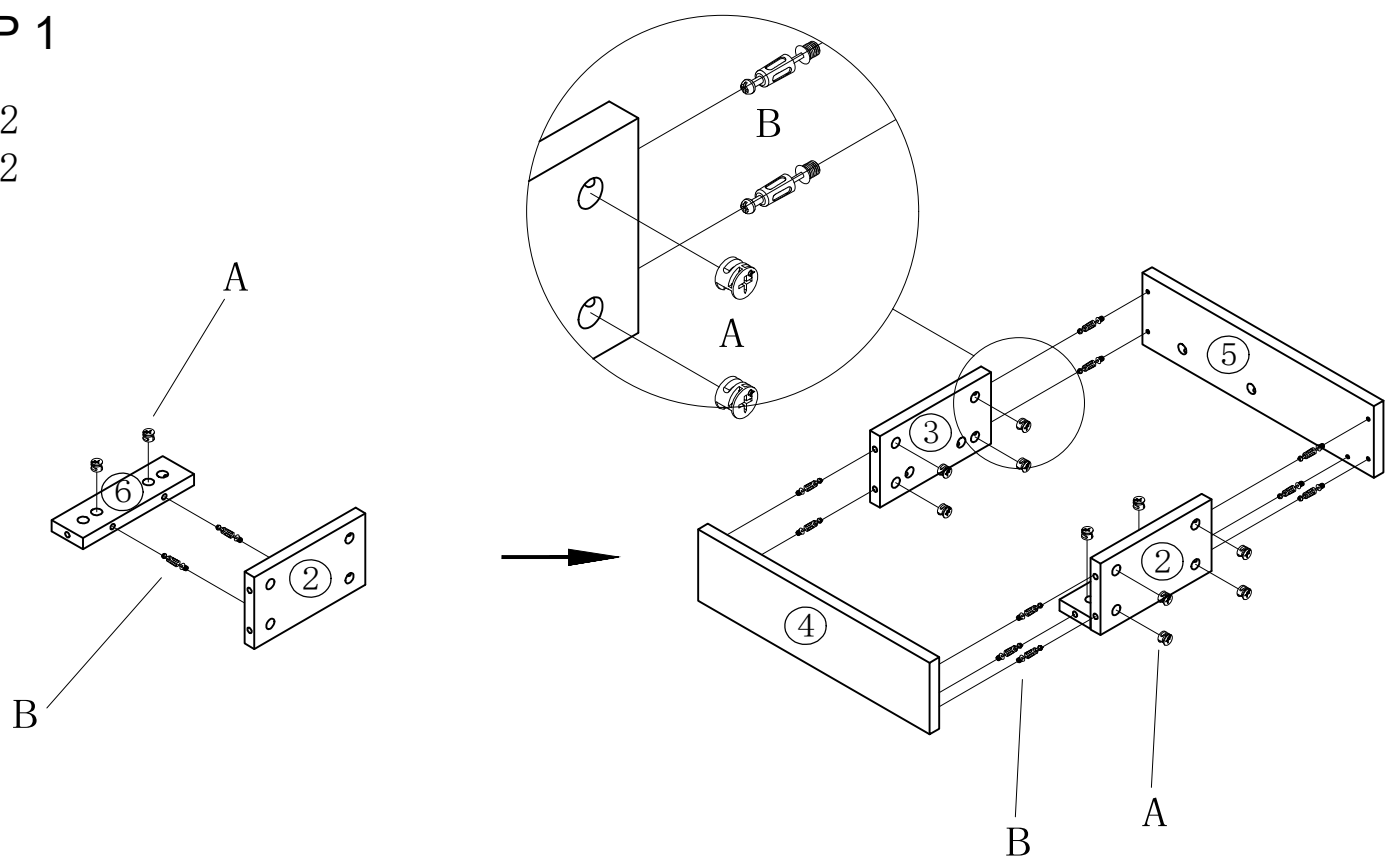
YUKI Bedside Table Without Back Panel

A		Ø 15x12	18	PCS	C		Ø 16	4	PCS
B		Ø 7x35	18	PCS	D		Ø 20	3	PCS



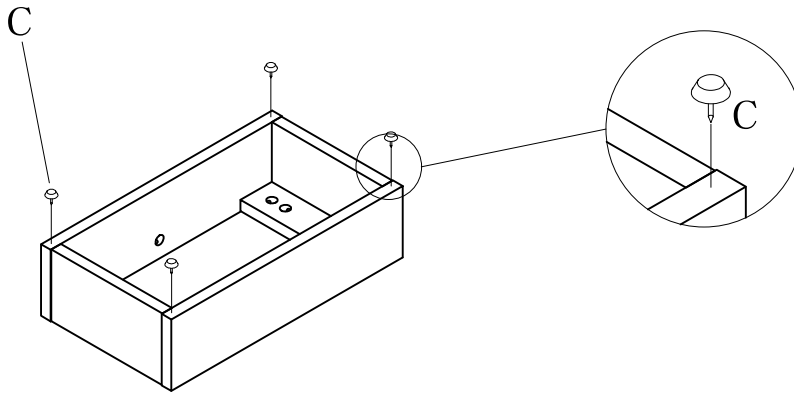
STEP 1

Ax12
Bx12



STEP 2

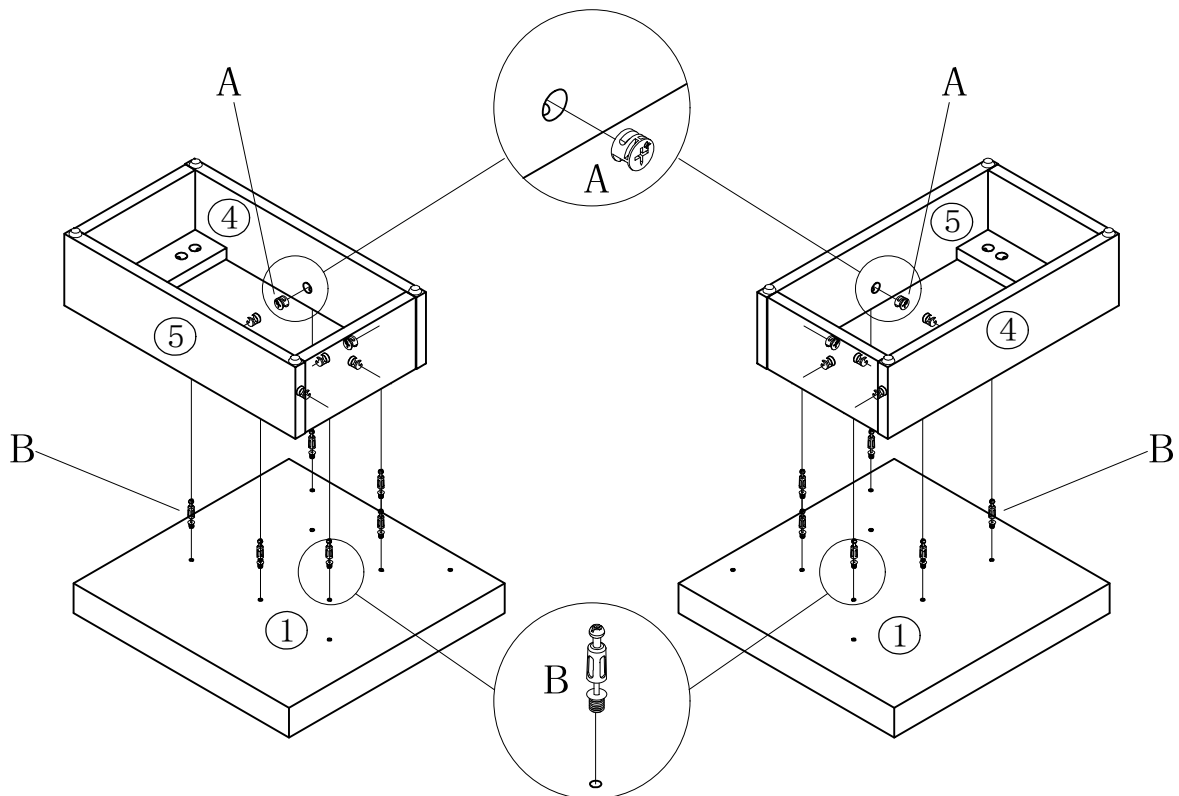
Cx4



STEP 3

Ax6

Bx6

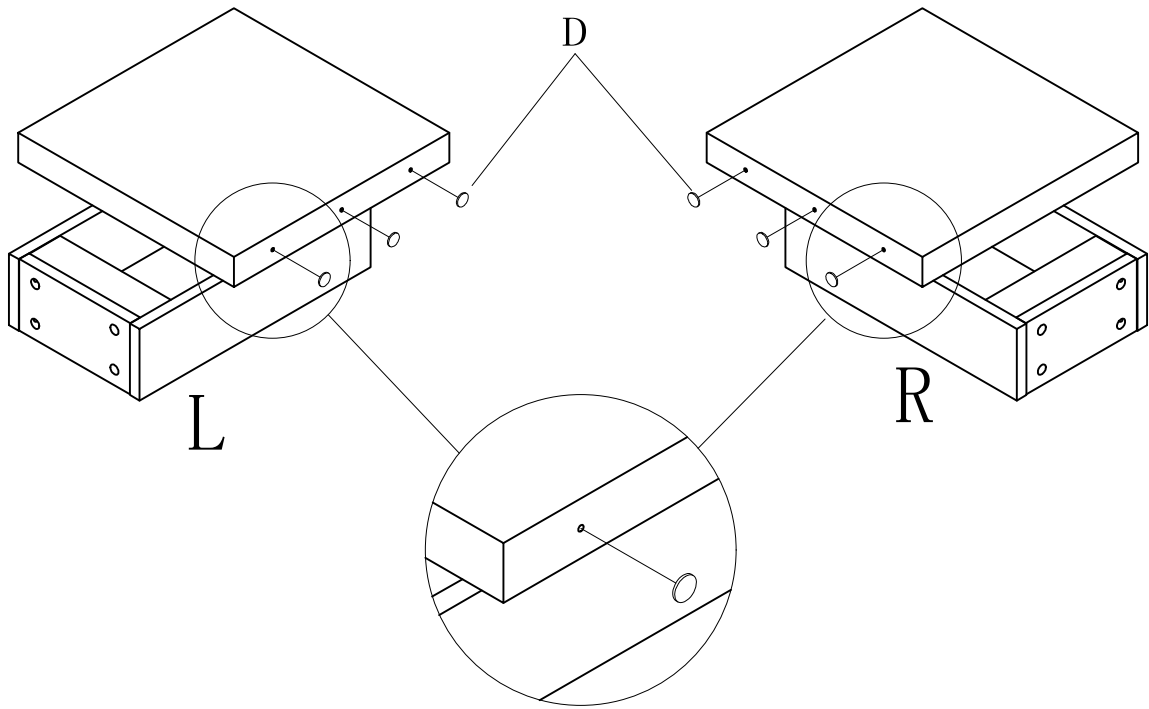


Installation method of
left bedside table.

Installation method of
right bedside table.

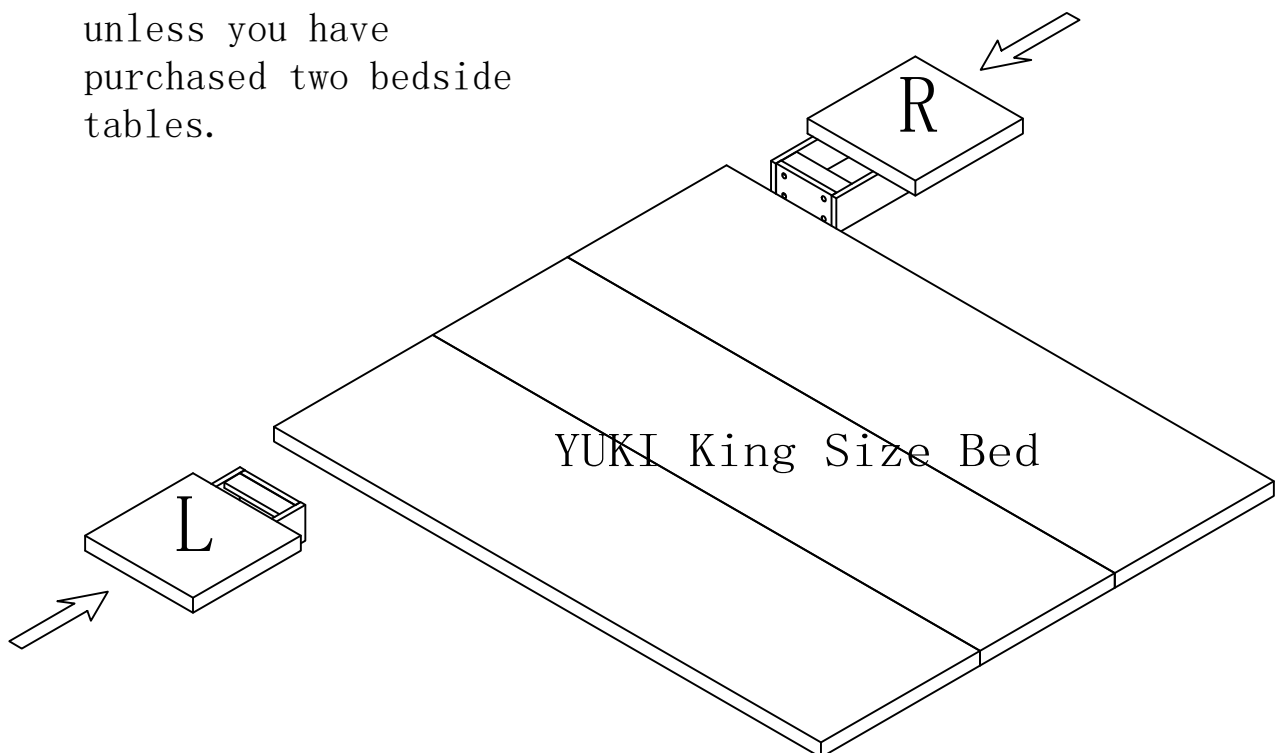
STEP 3

Dx3



STEP 4

You can only choose one method for installation, unless you have purchased two bedside tables.



FINISH

